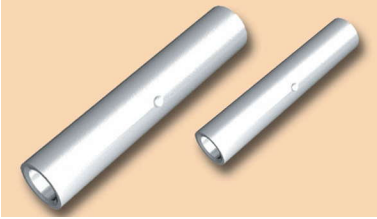
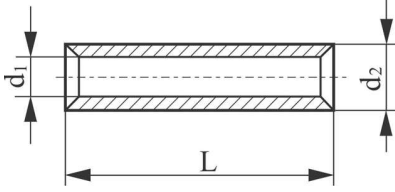
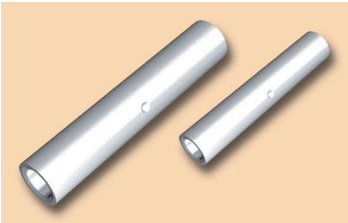
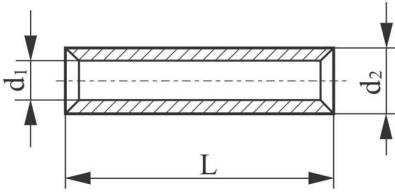


Butt connectors DIN 46267/1 Material: E-Cu Protection: tin-plated					
					
Mark	Cross section of conductor mm <sup>2</sup>	d <sub>1</sub> mm	d <sub>2</sub> mm	L mm	Packaging pieces
4140	6.0	3.8	5.5	30	25
4141	10	4.5	6.0	30	
4142	16	5.5	8.5	50	
4143	25	7.0	10.0	50	
4144	35	8.2	12.5	50	20
4145	50	10.0	14.5	56	
4146	70	11.5	16.5	56	10
4147	95	13.5	19.0	70	
4148	120	15.5	21.0	70	
4149	150	17.0	23.5	80	
4150	185	19.0	25.5	85	5
4151	240	21.5	29.0	90	
4152	300	24.5	31.5	100	

Al butt connectors DIN 46267/2 Material: Al					
					
Mark	Cross section of conductor mm <sup>2</sup>	d <sub>1</sub> mm	d <sub>2</sub> mm	L mm	Packaging pieces
4160	16	5.6	11	65	25
4161	25	6.8	12	70	
4162	35	8.0	14	85	
4163	50	9.6	15.6	85	
4164	70	11.0	18	105	20
4165	95	14.0	20	105	
4166	120	14.7	23	105	10
4167	150	16.9	25.5	125	
4168	185	18.0	28	125	
4169	240	22.0	32	145	