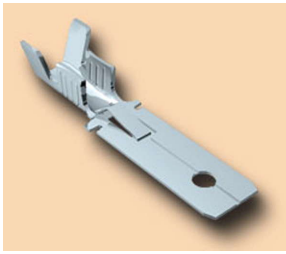
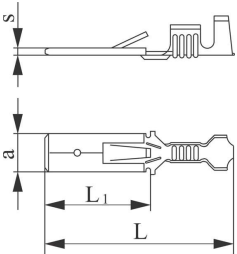
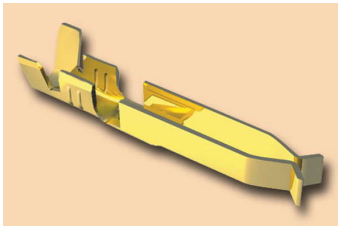
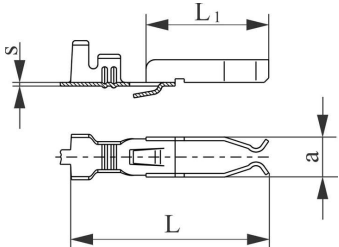
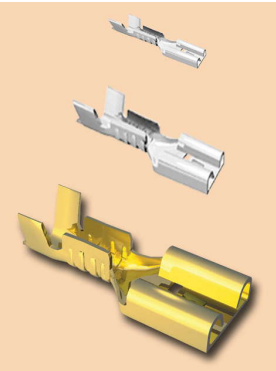
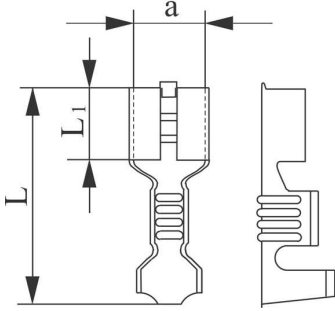
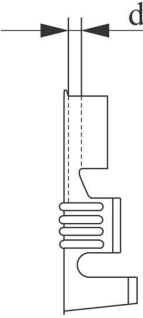


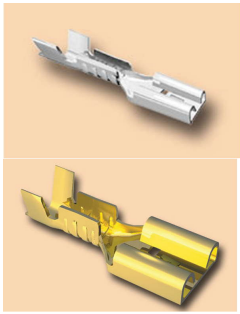
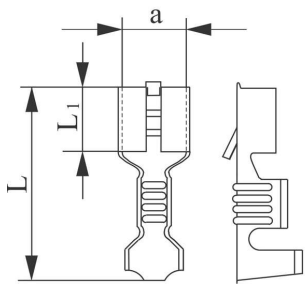
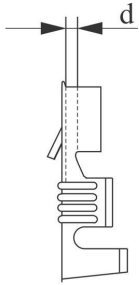
Male push on terminals DIN 46343 Material: CuZn						
						
Mark		Cross section of conductor mm <sup>2</sup>	a mm	L mm	L <sub>1</sub> mm	s mm
brass bare MS	tin-plated					
5121	5021	0.5-1	0.8	28	15.8	0.8
5122	5022	1.5-2.5				
5123	5023	4-6				

Terminals Material: CuZn						
						
Mark		Cross section of conductor mm <sup>2</sup>	a mm	L mm	L <sub>1</sub> mm	s mm
brass bare MS	tin-plated					
5300	5301	0.75-1.5	4.4	21.8	13.5	0.4

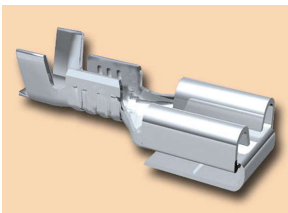
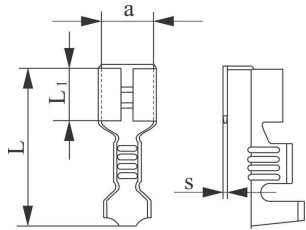
Female push on terminals <b>2.8</b> DIN 46247						
Material: CuZn						
						
		Female push on terminals 4.8 i 6.3		Female push on terminals kontakt 2.8		
Mark		Cross section of conductor mm <sup>2</sup>	d mm	a mm	L mm	L <sub>1</sub> mm
brass bare Ms	tin-plated					
5705	5715	0.1-0.25	0.4	2.8	6	14
5706	5716		0.7			
5707	5717	0.5-1.5	0.4		6.3	15.3
5708	5718		0.7			

Female push on terminals <b>4.8</b> DIN 46247						
Material: CuZn						
Mark		Cross section of conductor mm <sup>2</sup>	d mm	a mm	L mm	L <sub>1</sub> mm
brass bare Ms	tin-plated					
5801	5811	1-2.5		4.8	6.3	15

Female push on terminals <b>6.3</b> DIN 46247						
Material: CuZn						
Mark			Cross section of conductor mm <sup>2</sup>	a mm	L mm	L <sub>1</sub> mm
brass bare Ms	tin-plated	Steel Ni				
5111	5011	5211	0.5-1	6.3	19	7.7
5112	5012	5212			19.3	
5113	5013	5213			19.3	

Female push on terminals <b>2.8</b> DIN 46340						
Material: CuZn						
						
		Female push on terminals 4.8 i 6.3		Female push on terminals contact 2.8		
Mark		Cross section of conductor mm <sup>2</sup>	d mm	a mm	L mm	L <sub>1</sub> mm
brass bare Ms	tin-plated					
5701	5711	0.1-0.25	0.4	2.8	6	14
5702	5712		0.7			
5703	5713	0.5-1.5	0.4		6.3	15.3
5704	5714		0.7			

Female push on terminals <b>6.3</b> DIN 46340						
Material: CuZn						
Mark			Cross section of conductor mm <sup>2</sup>	a mm	L mm	L <sub>1</sub> mm
brass bare Ms	tin-plated	Steel Ni				
5115	5015		0.5-1	6.3	19	7.7
5116	5016		1.5-2.5		19.2	
5117	5017		4-6		19.2	

Male-female push on terminals DIN 46345						
Material: CuZn						
						
Mark		Cross section of conductor mm <sup>2</sup>	a mm	L mm	L <sub>1</sub> mm	s mm
brass bare Ms	tin-plated					
5118	5018	1-2.5	6.3	19.2	7.7	0.8